

MCCULLOCH

PARTNER

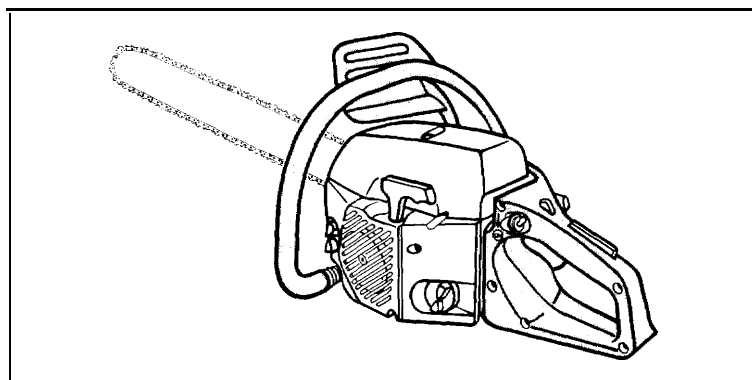
ILLUSTRATED PARTSLIST

PROMAC **40-46**

PARTNER **P461**

SERIAL NUMBER PREFIX 04

CC



March 2000

C	1	240872	McCulloch	1	80	240328	2	
C		241937		1	81	240334	M4x40	2
	2	240288		1	82	240262		
	3	a240369	McCulloch		a3	235248		2
		r241936			84	235216		2
B	4	240311			B 85	240263		
	5	0227349			86	240322		2
	6	240326			87	240338	40cc	
	7	●227351				240871	46cc	
	8	●227352				241935	P461	
	9	240928			88	240320		
	10	●240929			89	240321		
	11	240690			90	236936		
	12	●227521			91	240272		
	13	a229394			C 92	240344		
	14	a227524			93	240291		
	15	235367			94	●240297		
	16	●235811			95	●236981		2
	17	●240863		3	96	240299		
	18	235500		2	97	236997	M5x30	
	19	227259			98	227626		2
C	20	●240360			99	227567	M5x70	2
A	21	227762		2	c100	240359		
c	22	240339			C 101	240855		
C	23	●240301			102	248056		
C	24	●240302			103	235899		
	25	240303			C 104	228872		
C	26	●240367			105	●235900		
	27	0240862			105A	●236728		
	28	229524			105B	●241597		2
c	29	240859			106	240312		
	30	227259			107	241255	40cc	
	31	240845	M5x16			241256	46cc	
C	32	247259			C 108	227631	40cc	
	33	240315		2	C 109	227631		
	34	235248		2	110	235672		
	35	235802	M5x14	2	111	248057		
	36	235806	M5x20	2	112	●241253		
	37	240281		1	113	228872		
B	38	241231	40cc	1	B 114	●240349	M8/M6	
B		240289	46cc	1	117	227259		
B	39	240285			118	235806	M5x20	
	40	240354			Al 19	240317		
	41	235248			B 120	●229208		11
	42	235802	M5x14		B 121	240205		
	43	235248			B 122	240318		
	44	235803	M5x25		123	235642		
	45	227259			124	240310		
	46	235802	M5x14		125	240333		
C	47	240336	McCulloch		126	240309		
C		241933			C 127	240363		
	48	●240316	M5x35		B 128	240286		
	49	240921			129	241098		
	50	●229208			C 130	241096		
	51	●240884			131	240867		
B	52	0235372			132	240920		1
A	53	235042			133	●240300		1
B	54	●235040			B 134	240868		1
	55	235248		3	C 135	●235675		1
	56	236997	M5x30	3	Al 36	●240452		1
B	57	240866			C 137	227582		1
C	58	●235511			138	●229716		1
B	59	240865			139	241099		1
C	60	235510			B 141	240260	3/8"	1
	61	247290			B	240266	.325"	1
	62	●240358		3	142	240323		1
	63	235218			143	241275		1
	64	241204			144	241285		1
B	65	235516		2	145	229250		2
B	66	235517		2	146	236997	M5x30	4
B	67	●235518		2	B 147	241100		1
c	68	241291			C 148	228854		1
C	69	●240370			149	240308		1
C	70	FIGURE 2			150	240874		1
	71	227565	M5x25		C 151	225062		1
	72	236934			152	241272		1
A	73	92879			153	241274		1
B	74	240345			B 154	●240926		3
	75	240271	40cc		155	227359		3
		240261	46cc		156	●241273		1
	76	236997	M5x30	2	157	235248		1
	77	236529		2	158	228139		1
A	78	227692			159	241162		1
C	79	FIGURE 3			160	241984		1

A = high moving - altaraotazione alta demande - große Nachfrage
 B = medium moving - mediarotazione moyenne demande - mittelmäßige Nachfrage
 C = slow moving - bassa rotazione - basse demande - wenige Nachfrage

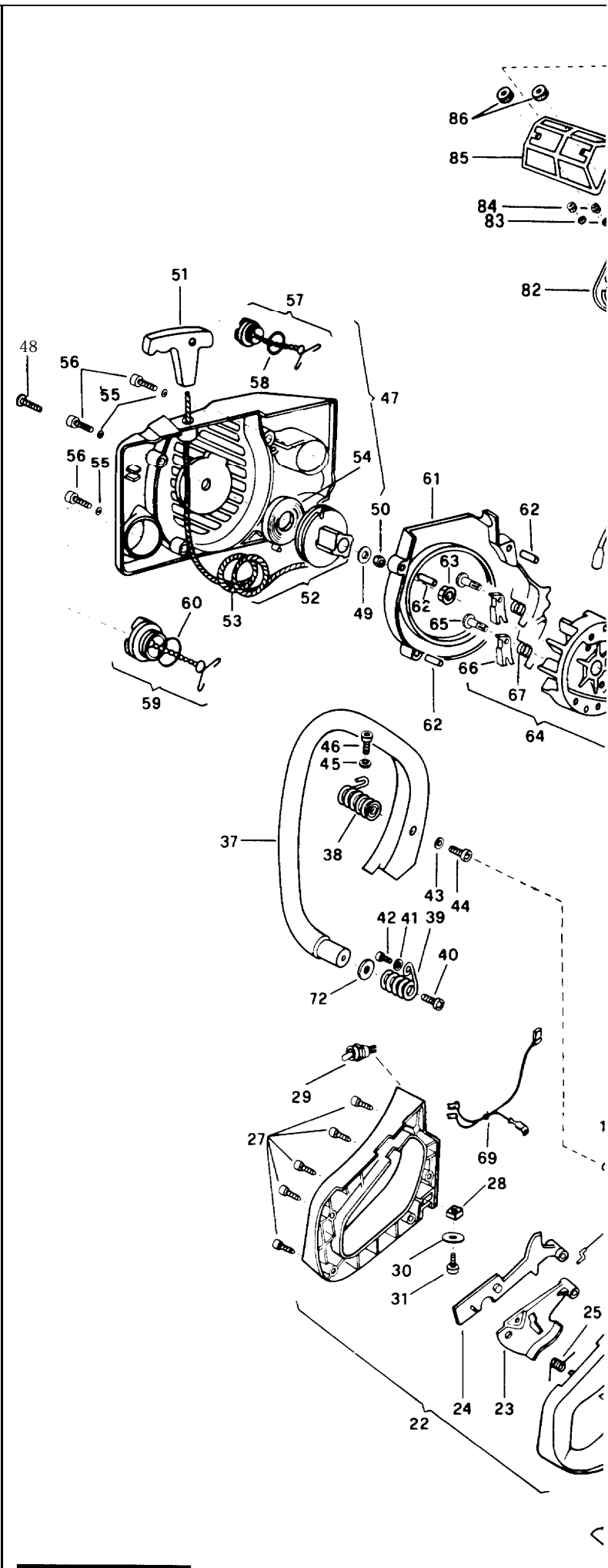
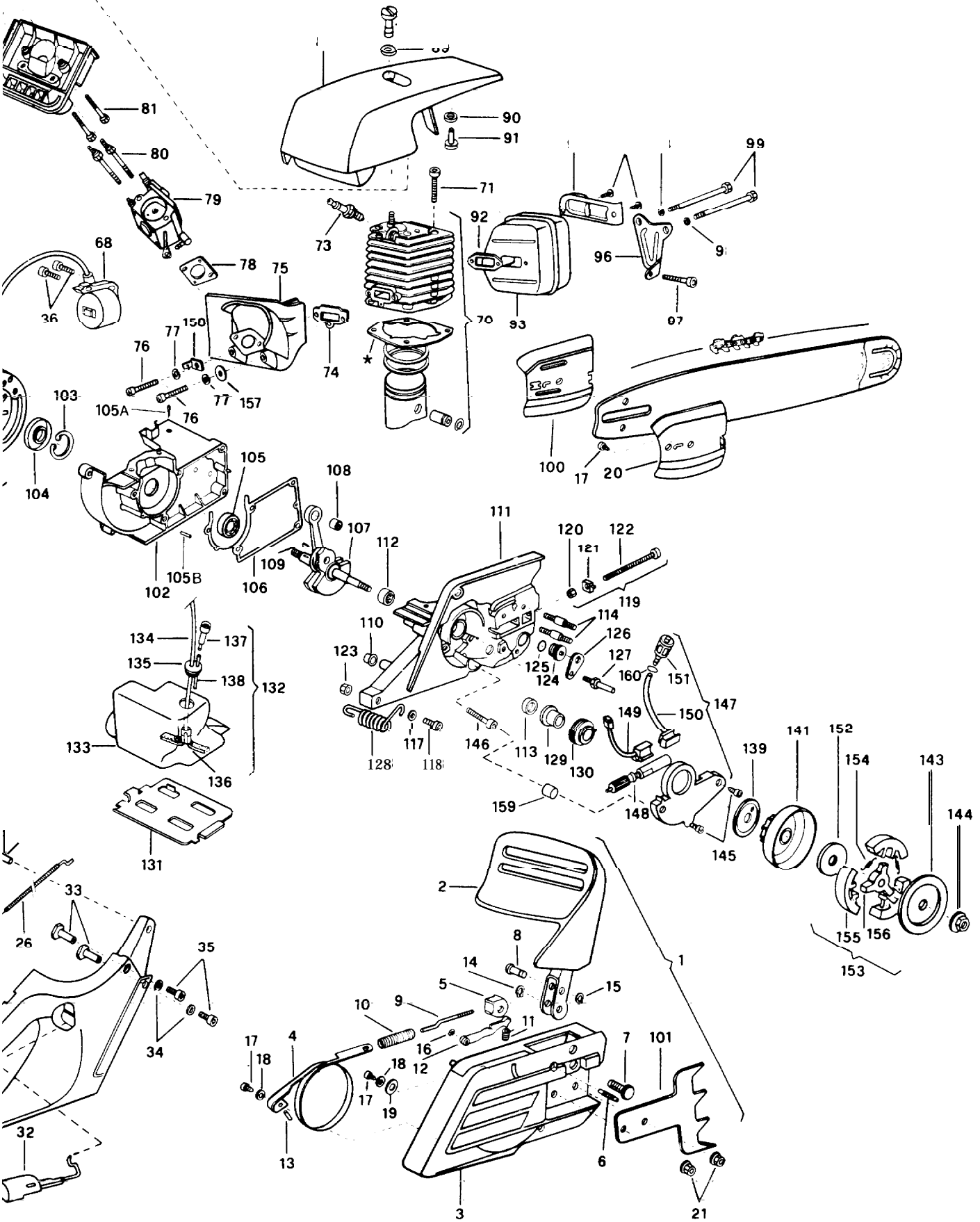


FIGURE 1

B Kit gasket	PN 247249 (*-58-60-74-78-92-106-125)
B Kit guarnizioni	PN 247249 (*-58-60-74-78-92-106-125)
B Kit joint	PN 247249 (*-58-60-74-78-92-106-125)
B Kit dichtung	PN 247249 (*-58-60-74-78-92-106-125)



	40 cc		<table border="0"> <tr><td>C</td><td>1</td><td></td><td>247254</td><td>1</td></tr> <tr><td>B</td><td>2</td><td> </td><td>240343</td><td>1</td></tr> <tr><td>C</td><td>3</td><td> </td><td>247257</td><td>1</td></tr> <tr><td></td><td>4</td><td>me</td><td>235008</td><td>2</td></tr> <tr><td>B</td><td>5</td><td> @</td><td>240085</td><td>2</td></tr> </table>	C	1		247254	1	B	2		240343	1	C	3		247257	1		4	me	235008	2	B	5	@	240085	2
	C	1		247254	1																							
B	2		240343	1																								
C	3		247257	1																								
	4	me	235008	2																								
B	5	@	240085	2																								
46 cc		<table border="0"> <tr><td>C</td><td>1</td><td></td><td>247255</td><td>1</td></tr> <tr><td>B</td><td>2</td><td> </td><td>240343</td><td>1</td></tr> <tr><td>C</td><td>3</td><td> </td><td>247258</td><td>1</td></tr> <tr><td></td><td>4</td><td> e</td><td>229544</td><td>2</td></tr> <tr><td>B</td><td>5</td><td> *</td><td>240353</td><td>1</td></tr> </table>	C	1		247255	1	B	2		240343	1	C	3		247258	1		4	e	229544	2	B	5	*	240353	1	
C	1		247255	1																								
B	2		240343	1																								
C	3		247258	1																								
	4	e	229544	2																								
B	5	*	240353	1																								

FIGURE 2

WALBRO WT 414			
C	-	240350	carbur.
B	1	247260	1
A	2	e 229191	1
	3	247261	1
	4	237481	1
	5	247388	H 1
	6	● 246540	L 1
	7	● 229601	2
C	8	247387	1

FIGURE 3

A = high moving - alta rotazione - haute demande - große Nachfrage
 B = medium moving - media rotazione - moyenne demande - mittelmäßige Nachfrage
 C = slow moving - bassa rotazione - basse demande - wenige Nachfrage